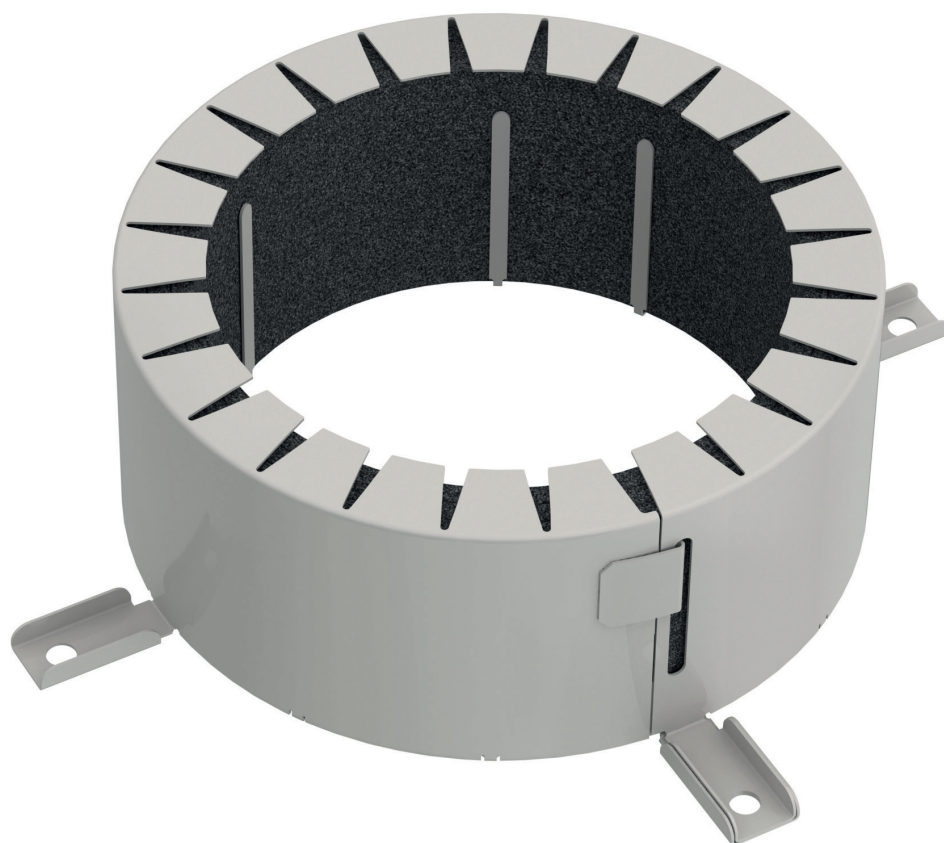


MG2-A U

Surface-mounted fire resistant U/U collar.



CE
0749










Table of content

Declaration of performance	3
Product presentation MG2-A U	4
Range and dimensions MG2-A U	4
Storage and handling	5
Installation	5
Installation in rigid wall and floor	6
Installation in flexible wall (metal stud gypsum plasterboard wall)	7
Installation in flexible wall (metal stud gypsum plasterboard wall) with screws	8
Weights	9
Approvals and certificates	9

Explanation of the abbreviations and pictograms

Dn = nominal diameter
E = integrity

I = thermal insulation
GKB (type A) / GKF (type F): "GKB"
stands for standard plasterboards (type
A according to EN 520) while "GKF"
plasterboards offer a higher fire resistance
for a similar plate thickness (type F
according to EN 520)

	fast installation		installation U/U, U/C, C/C, C/U (uncapped-uncapped, uncapped-capped, capped-capped, capped-uncapped).
	water- and frost-resistant		suitable for PE-HD pipes according to EN 1519-1, EN 12666-1 or EN 12201-2 and for ABS pipes according to EN 1455-1
	suitable for PVC-U pipes according to EN 1329-1, EN 1453-1 or EN 1452-1 and for PVC-C pipes according to EN 1566-1		suitable for PP pipes according to EN 1451-1
	suitable for surface-mount		

DECLARATION OF PERFORMANCE

CE DoP Rf-t M4 EN = B-01/06/2023

1. Unique identification code of the product-type:	MG2-A U
2. Intended use/es:	Sealing flammable pipes in penetrations through fire compartment walls and floors.
3. Manufacturer:	Rf-Technologies NV, Lange Ambachtstraat 40, B-9860 Oosterzele
4. System/s of AVCP:	System 1
5. Harmonised standard / European Assessment Document; notified body / European Technical Assessment, Technical Assessment Body, notified body; certificate of constancy of performance:	EAD 350454-00-1104, ETA 19/0277; UBAtc asbl; BCCA with identification number 0749; BCCA-0749-CPR-BC1-262-464-026-2.04-2517
6. Declared performance according to EAD 350454-00-1104	(fire resistance according to EN 1366-3, classification according to EN 13501-2)

Essential characteristics								Performance						
Wall type	Wall	Sealing	Type of pipe	Material pipe	Installation	Pipe diameter (mm)	Pipe wall thickness (mm)	Classification						
Flexible wall / rigid wall / rigid floor	Metal studs gypsum plasterboard Type F (EN 520) ≥ 100 mm/Aerated concrete (wall) ≥ 100 mm/Aerated concrete (floor) ≥ 150 mm	Not applicable	standard	PVC	1	32-75	1,8-5,3	EI 120-U/U						
					1	80	1,9-5,3							
					1	90	2,0-5,3							
					1	100	2,1-5,3							
					1	110	2,2-5,3							
					1	125	2,5-7,7							
					1	140	2,8-7,7							
					1	160	3,2-7,7							
					PE, ABS	1	32-75		2,3-6,6	EI 120-U/U				
				1		80	2,4-6,6							
				1		90	2,5-6,6							
				1		100	2,6-6,6							
				1		110	2,7-6,6							
				1		125	3,1-9,5							
				1		140	3,5-9,5							
				PP	1	32-40	1,8-3,4	EI 120-U/U						
					1	50	2,0-3,4							
					1	56	2,3-3,4							
					1	63	2,6-3,4							
					1	75	3,0-3,4							
					1	80	3,1-3,4							
					1	90	3,2-3,4							
					1	100	3,3-3,4							
					1	110	3,4							
					Flexible wall / rigid wall	Metal studs gypsum plasterboard Type F (EN 520)/Aerated concrete ≥ 100 mm	Not applicable		standard	PP	1	125	3,9-4,9	EI 120-U/U
											1	140	4,3-4,9	
				1				160			4,9			
Flexible wall	Metal studs gypsum plasterboard Type A (EN 520) ≥ 100 mm	Not applicable	standard	PE, ABS	1	32-75	3,9-4,9	EI 60-U/U						
					1	80	3,9-4,9							
					1	90	3,9-4,9							
					1	100	3,9-4,9							
					1	110	3,9-4,9							
Rigid floor	Aerated concrete ≥ 150 mm	Not applicable	standard	PP	1	125	3,9-4,9	E 120-U/U						
					1	140	4,3-4,9							
					1	160	4,9							

Harmonised standard
 EAD 350454-00-1104

1 installation U/U, U/C, C/C, C/U (uncapped-uncapped, uncapped-capped, capped-capped, capped-uncapped).



Reaction to fire
Durability and ease of maintenance

class E (EN 13501-1)
Y2

The performance of the product identified above is in conformity with the set of declared performance/s. This declaration of performance is issued, in accordance with Regulation (EU) No 305/2011, under the sole responsibility of the manufacturer identified above.

Signed for and on behalf of the manufacturer by:
Mathieu Steenland, Technical Manager

Oosterzele, 01/06/2023



Product presentation MG2-A U

The MG2-A U surface-mounted fire resistant collar is suitable for ventilated and non-ventilated plastic pipes (PVC, HDPE, PP, ABS). It has been tested according to EN1366-3 and is fire resistant up to 120 minutes in rigid walls and floors and in flexible walls. In case of a wall, a collar is installed on both sides of the wall. In case of a floor, a single MG2-A U is enough on the lower side of the floor.

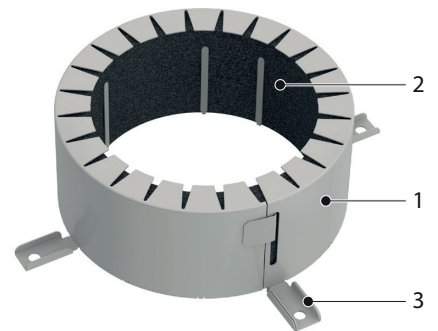
When combustible pipes burn away, openings appear in the floor or walls through which fire can spread. Fire resistant collars prevent propagation of fire by expanding through heat, thus closing off the openings and making them fire resistant.

- ✓ suitable for ventilated (vented) plastic pipes.
- ✓ installation U/U, U/C, C/C, C/U (uncapped-uncapped, uncapped-capped, capped-capped, capped-uncapped).
- ✓ water- and frost-resistant
- ✓ fast installation
- ✓ no specific tools, no sealing required
- ✓ CE marking according to EAD 350454-00-1104



- maintenance-free
- suitable for surface-mount
- suitable for PVC-U pipes according to EN 1329-1, EN 1453-1 or EN 1452-1 and for PVC-C pipes according to EN 1566-1
- suitable for PE-HD pipes according to EN 1519-1, EN 12666-1 or EN 12201-2 and for ABS pipes according to EN 1455-1
- suitable for PP pipes according to EN 1451-1

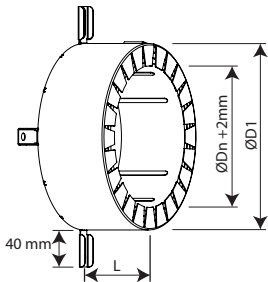
1. steel housing
2. intumescent strips
3. wall anchors



Range and dimensions MG2-A U

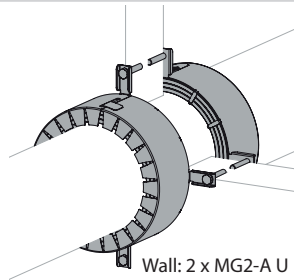
D1 = outside diameter of the collar

Dn = inside diameter of the collar, corresponding to the outside diameter of the pipe

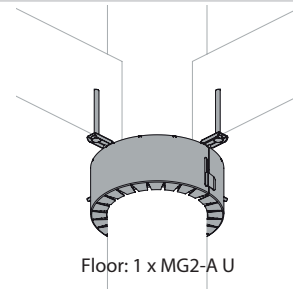


ØDn [mm]	32	40	50	56	63	75	80	90	100	110	125	140	160
D1	62,6	70,6	80,6	86,6	93,6	105,6	110,6	120,6	130,6	140,6	174,6	189,6	209,6
L	60	60	60	60	60	60	60	60	60	60	80	80	80

Wall: 2 x MG2-A U



Floor: 1 x MG2-A U



Storage and handling

As this product is a safety element, it should be stored and handled with care.

It is recommended:

- to unload in a dry area
- to keep in a cool, dry area, protected from heat
- to transport the product in a closed vehicle

Installation

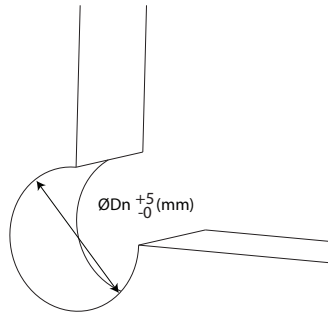
General points

- The installation must comply with the installation manual and the classification report.
- The pipe must be supported in order to guarantee the well-functioning of the sealing during a fire. Supports and fastenings should be realised according to the rules of good craftsmanship.

Installation in rigid wall and floor

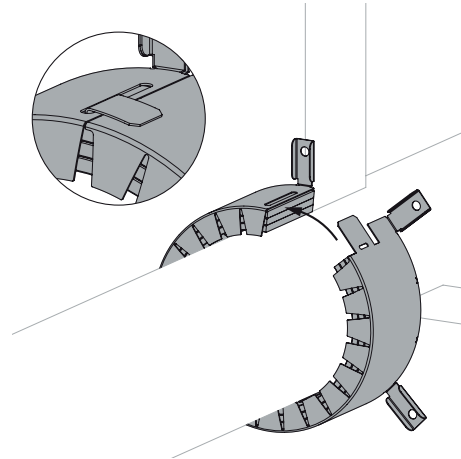
The product was tested and approved in: see the classification overview in the Declaration of Performance. Mounting is authorised in supporting constructions with a thickness and/or density equal or superior to the supporting construction used during the test, as described in EN 1366-3.

1



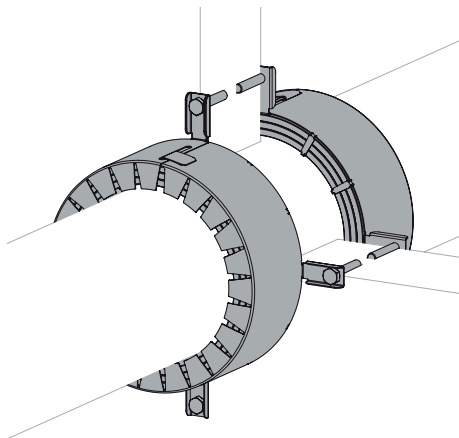
1. Provide an installation opening of $\varnothing Dn$ mm.

2



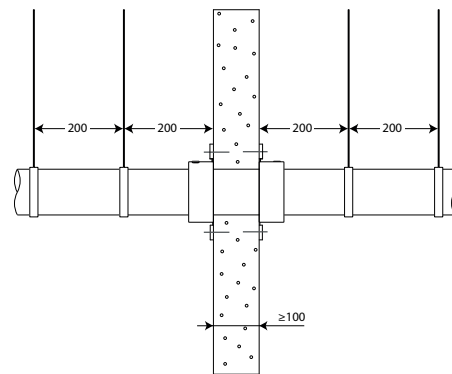
2. Place the plastic pipe.
Keep one end of the collar in place with one hand whilst bending the collar around the pipe with the other hand. In order to close the collar, place the metallic flap through the foreseen opening. Then place the anchors on top of each other. Fold the flap back to the right to close the collar.

3



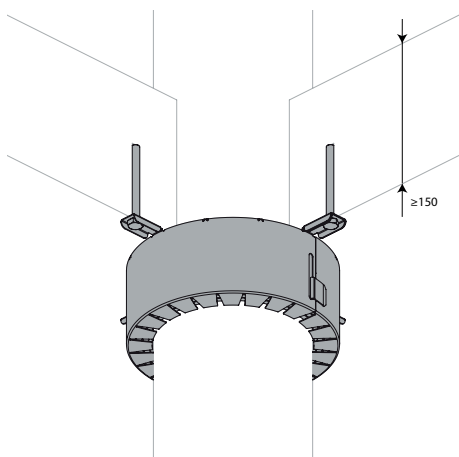
3. Reinforced concrete: place expander bolts in the pre-drilled holes $\varnothing 6$ mm and fasten them. Aerated concrete: fix with universal M6 screws.

4



4. Place a collar on the other side in the same way. Apply the label nearby the collar.

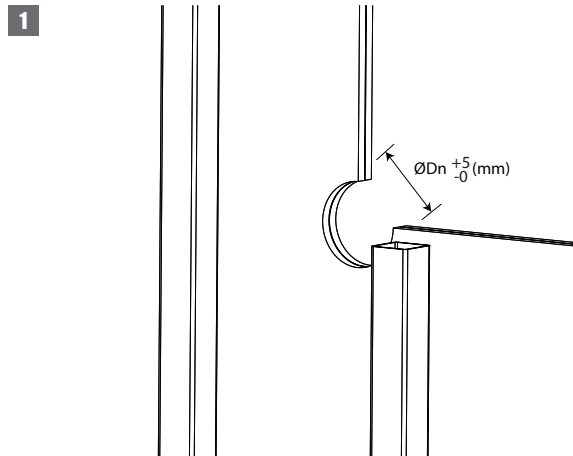
5



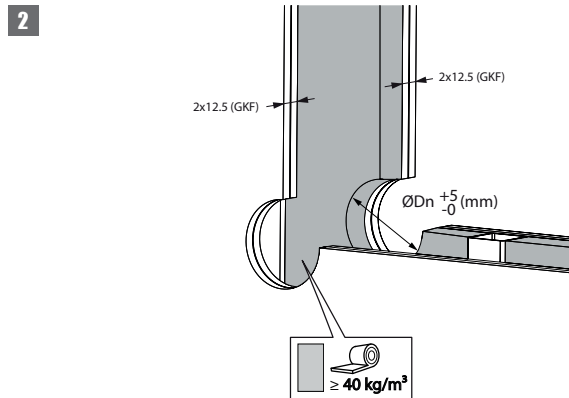
5. One collar on the bottom side of the floor is sufficient for floor penetrations.

Installation in flexible wall (metal stud gypsum plasterboard wall)

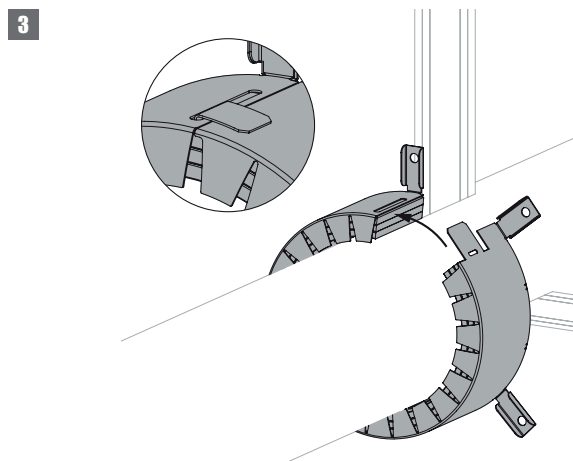
The product was tested and approved in: see the classification overview in the Declaration of Performance. Mounting is authorised in supporting constructions with a thickness and/or density equal or superior to the supporting construction used during the test, as described in EN 1366-3.



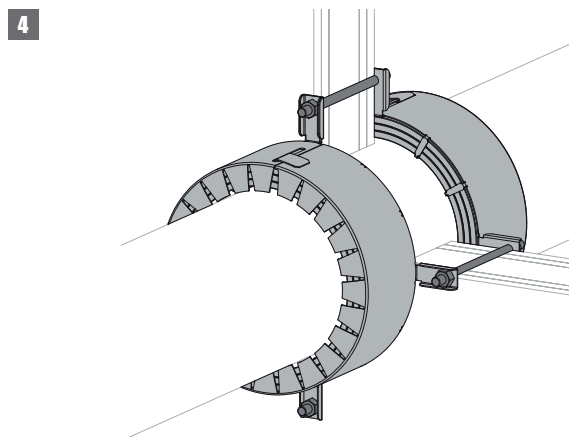
1. Fix two gypsum boards type F with a thickness of 12,5 mm to one side of the metal stud wall. Provide an installation opening of $\varnothing D_n$ mm.



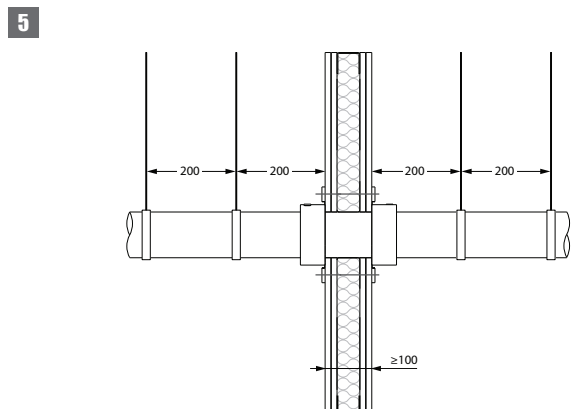
2. Insulate the wall and finish with two gypsum plasterboards type F.



3. Place the plastic pipe. Keep one end of the collar in place with one hand whilst bending the collar around the pipe with the other hand. In order to close the collar, place the metallic flap through the foreseen opening. Then place the anchors on top of each other. Fold the flap back to the right to close the collar.



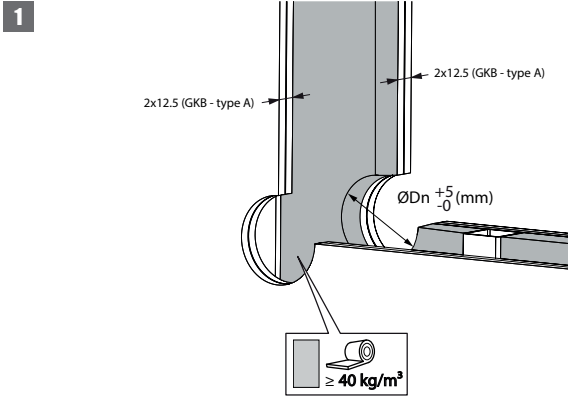
4. The MG2-A U must be fixed by threaded rods, washers and bolts (M6). Place a collar on the other side in the same way. Apply the label nearby the collar.



5

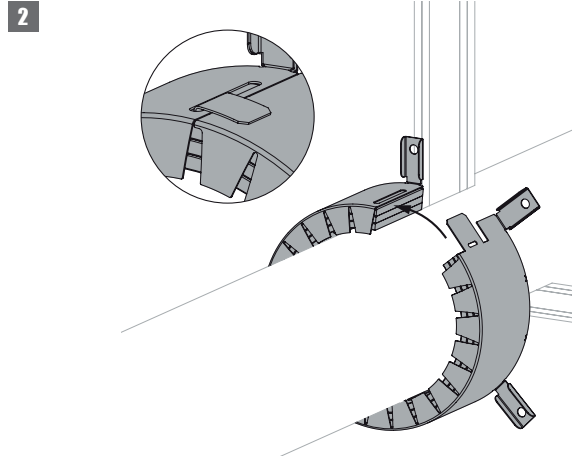
Installation in flexible wall (metal stud gypsum plasterboard wall) with screws

The product was tested and approved in: see the classification overview in the Declaration of Performance. Mounting is authorised in supporting constructions with a thickness and/or density equal or superior to the supporting construction used during the test, as described in EN 1366-3.



1. The flexible wall is made of two layers of gypsum board type A (GKB) with a thickness of 12,5 mm on each side of the metal stud.

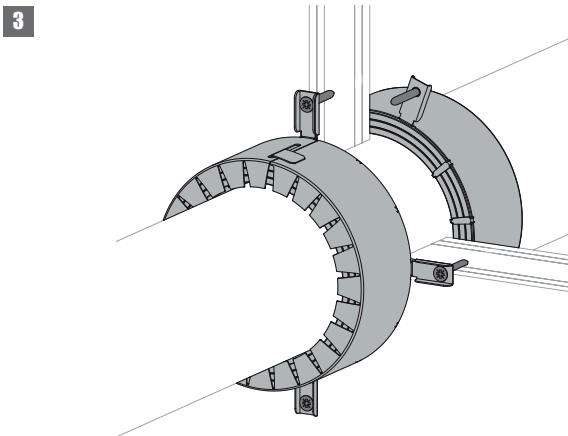
Provide an installation opening of $\varnothing D_n$ mm (up to $\varnothing D_n + 5$ mm).



2. Place the plastic pipe.

Keep one end of the collar in place with one hand whilst bending the collar around the pipe with the other hand.

In order to close the collar, place the metallic flap through the foreseen opening. Then place the anchors on top of each other. Fold the flap back to the right to close the collar.

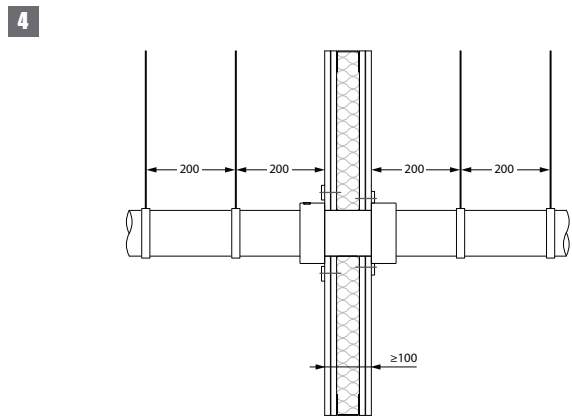


3. The MG2-A U can be fixed with screws of 40mm length.

Place a collar on the other side in the same way.

The screws don't have to be facing each other on each side of the wall.

Apply the label nearby the collar.



Weights

MG2-A U

ØDn [mm]	32	40	50	56	63	75	80	90	100	110	125	140	160
kg	0,4	0,5	0,5	0,6	0,6	0,7	0,7	0,8	0,8	0,9	2,0	2,1	2,3

Approvals and certificates

All our products are submitted to a number of tests by official test institutes. Reports of these tests form the basis for the approvals of our products.



BCCA-0749-CPR-BC1-262-464-026-2.04-2517